

BISON INNOVATIVE PRODUCTS

1975 W. 13th Ave Denver, CO 80204
Phone: 800-333-4234 | **Email:** info@BisonIP.com
Online: www.BisonIP.com

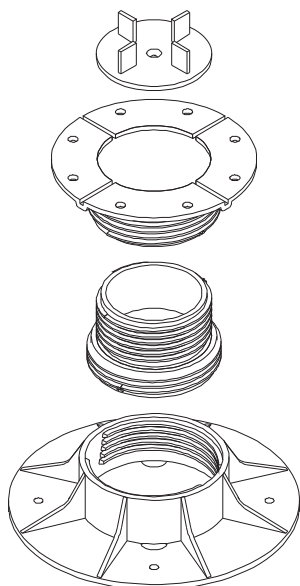


Copyright 3-1-2010 United Construction Products, Inc. All Rights Reserved

INSTALLATION DETAILS

MARCH 2010

UNDERSTANDING THE LEVEL.IT LC Patent and Patent Improvements Pending



LC Tab

LT316 - 3/16" standard
 LT18 - 1/8" optional

LC Top

"Engagement Bumps" prevent overextension. Mates with LC Bottom or C3 coupler

LC Coupler (yellow)

"Engagement Bumps" prevent overextension. Do not extend beyond bumps except to add a coupler. Remove coupler to reach lowest elevations. (Item C3 not sold separately.)

LC Base

Scored base for easy trimming
 Works with LC Top or LC coupler
 48 sq. in. base for weight distribution
 "Speed Bumps" prevent overextension

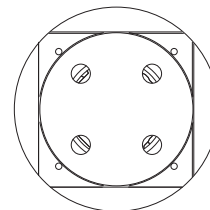
Model LC works for elevations between 2" and 4 3/4".

To remove tabs: strike with hammer from above
 Add couplers to reach up to 12" in elevation.

For elevations over 12" see our Versadjust line.

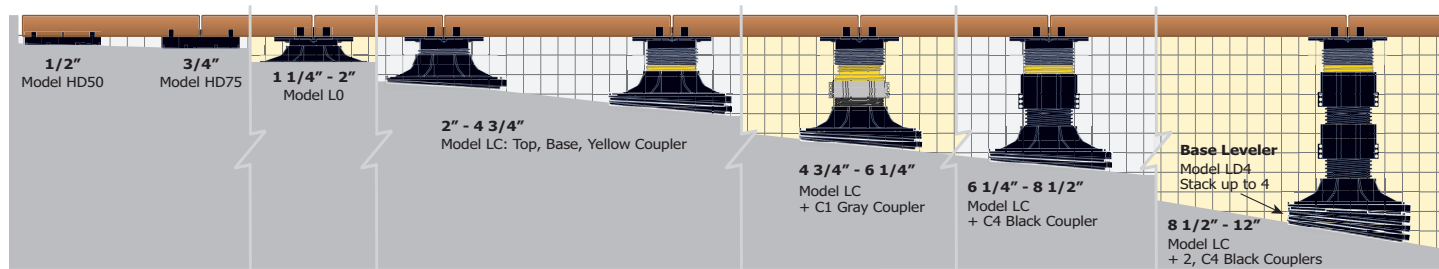
Accessories are available to compensate for slope and low height applications from 1/8 inch to 2 inches.

LC Base (Bottom View)



The LC Base is scored to allow easier trimming to fit the pedestal in tight spots.

When cutting the LC Base, round off any sharp edges to protect the roofing membrane.



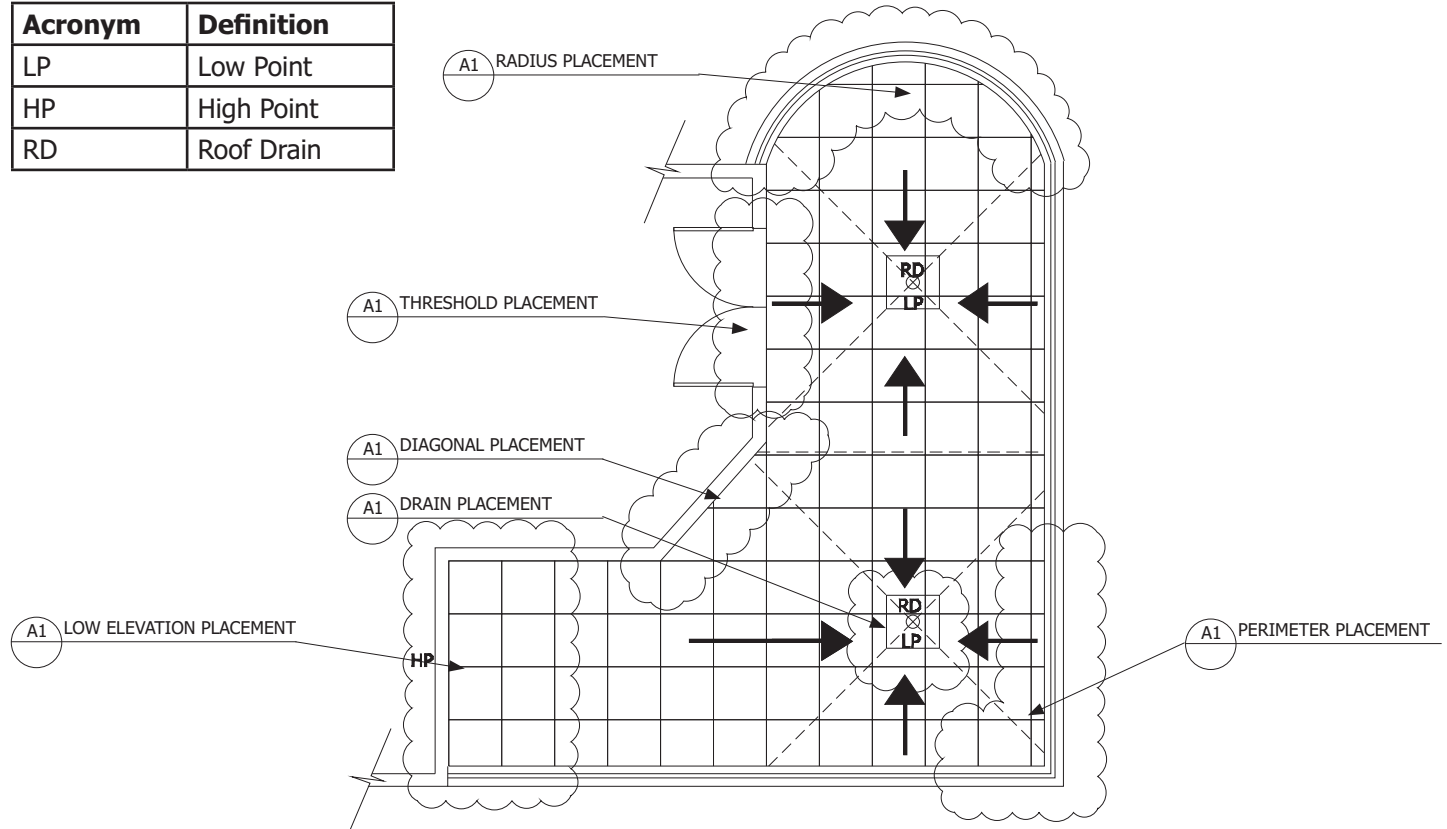
MAINTENANCE GUIDE

Routine maintenance of your paver deck system will enhance the beauty, reduce major repairs, and prolong the life of your deck. Below is a list of maintenance guidelines that should be performed on a regular basis:

1. Check for "rocking" pavers. If you notice pavers rocking back and forth while walking on the deck simply lift paver up and shim 1 or more corners until paver is level on all four corners. To ensure pedestal stability, make sure "speed bumps" are engaged. Bison B11 (1/16") or PS1 (1/8") shims can be ordered and shipped.
2. Depending on substrate materials some settling and or deflection can occur. Remove paver and adjust the pedestal by turning the base until level height is achieved. You may need to do this on more than one pedestal to level out an area.
3. Clean drains and scuppers on a regular basis. Water should completely drain off roof deck within 48 hours after rainfall, under ambient drying conditions. Sitting or "ponding" water can be detrimental to deck systems.
4. Periodically check spacer tabs between pavers and replace broken spacer tabs immediately. Loss of spacer tabs can cause unsafe deck movement.
5. Make sure the edge restraint stays intact and in good condition. There should not be room around perimeters of the deck in excess of 1/8" which would cause lateral movement of pavers, and void the Bison warranty.
6. Follow paver manufacturers' suggestions for upkeep and maintenance of pavers.

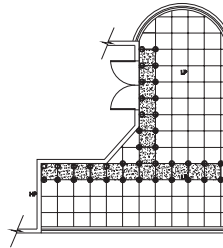
ADVANCED LAYOUT AND PEDESTAL PLACEMENT

Acronym	Definition
LP	Low Point
HP	High Point
RD	Roof Drain

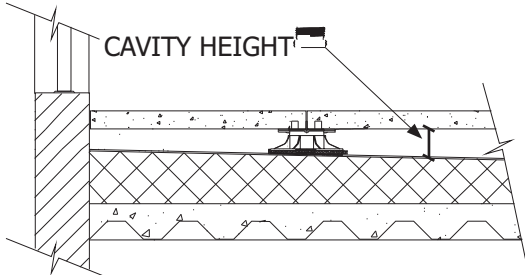


"T" METHOD INSTALLATION

1. Determine cavity height at all thresholds, drains and high points.
2. Deduct thickness of decking material.
3. Mark top of pedestal elevation around deck with laser level
4. Plan paver/pedestal layout pattern
5. Install "T" shaped portion of deck starting from threshold or high point
6. Adjust to correct height and level.
7. Installation on both sides of the "T" can proceed.



DETERMINING CAVITY HEIGHT



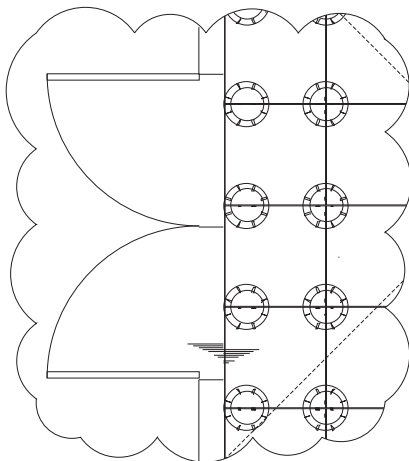
The cavity height is the space between the top of the roofing membrane, and the bottom of the decking material.

This is the height the pedestal will cover.

Use of a laser level or chalk line may assist.

Also refer to the detachable Level.it measuring device printed on the box.

THRESHOLD AND PERIMETER PLACEMENT



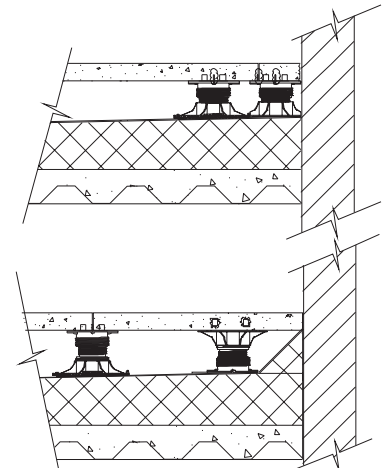
Remove tabs as necessary to inset edge pedestals.

Trim the base for tight fits.

Never allow more than 1 tab width between the decking material and your containment.

Pedestals may be inverted for particularly tight fits.

Excess tabs may be glued into place with construction adhesive to ensure spacing when "normal" tab placement is not possible.



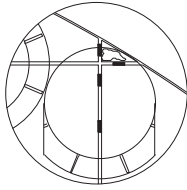
RADIUS PLACEMENT

Use extra pedestals under triangular pieces to prevent rocking.

Never allow more than 1 tab width between the decking material and your containment.

Add an extra pedestal at perimeter bends.

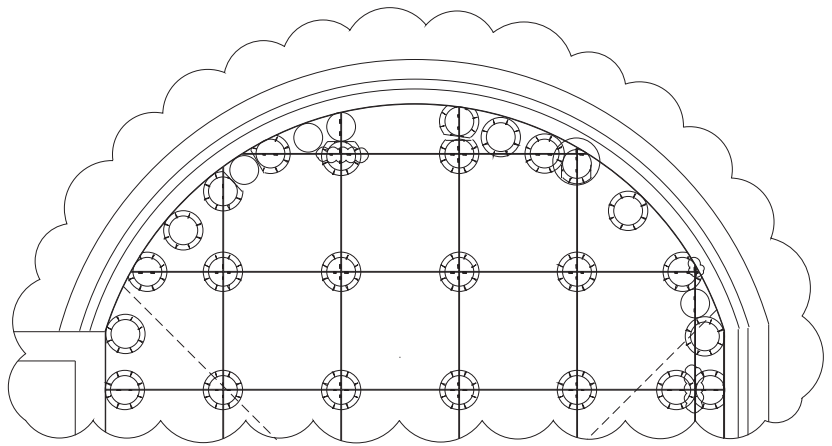
Remove extra tabs to inset pedestals on edge.



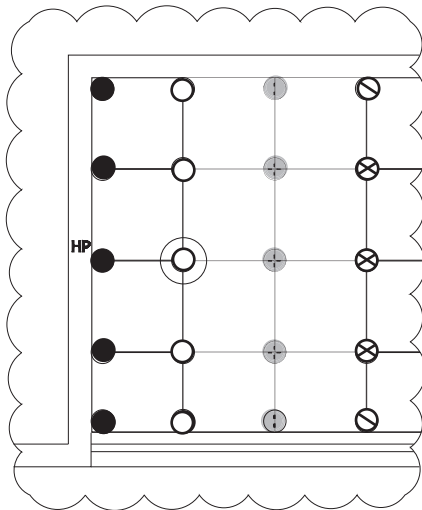
Adhere small pavers to top of pedestal with construction adhesive.

Trim pedestal base as needed to fit around perimeter.

Use removed tabs to maintain spacing between pavers.



LOW ELEVATION PLACEMENT



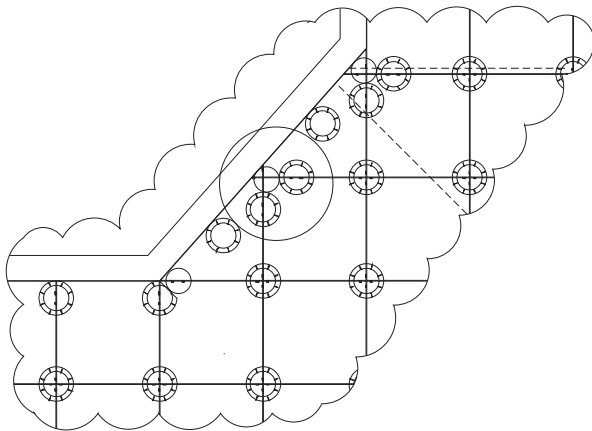
For low elevations the following pedestals are available:

LOW HEIGHT PEDESTALS

Model:	Height:
VT18 or VT316	● 1/8"
HD25	○ 1/4"
HD50	● 1/2"
HD75	⊗ 3/4"
LO	⊗ 1 1/4 - 2"

Shims can also be used to accommodate variations in height, in either 1/8" (PS1) or 1/16" (B11) increments.

DIAGONAL PLACEMENT



Use extra pedestals under triangular pieces to prevent rocking.

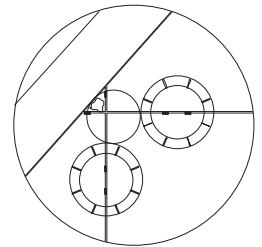
Never allow more than 1 tab width between the decking material and your containment.

Remove extra tabs to inset pedestals on edge.

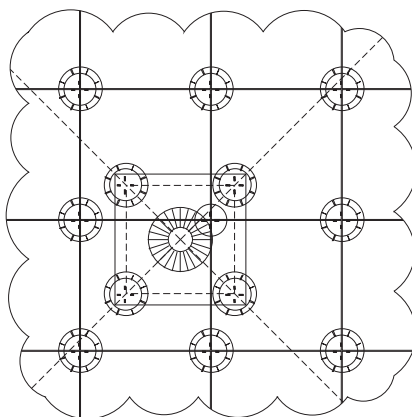
Adhere small pavers to top of pedestal with construction adhesive.

Trim pedestal base as needed to fit around perimeter.

Use removed tabs to maintain spacing between pavers.

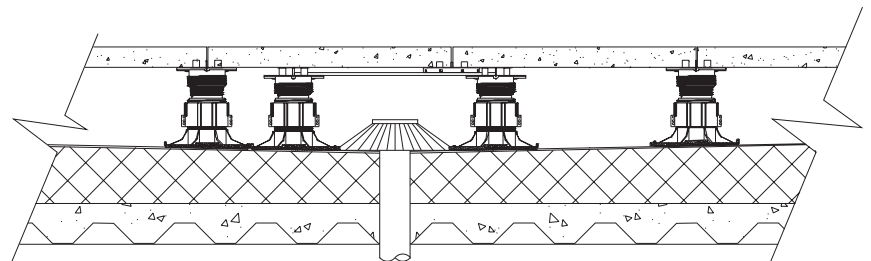


DRAIN PLACEMENT



Elevate a steel plate or spare paver above the drain, but below the deck itself.

Use that elevated paver to support a pedestal where you need for the deck above.



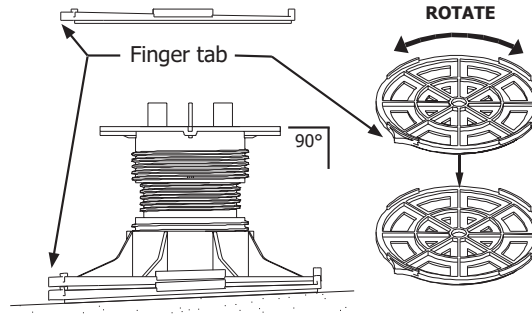
SLOPE COMPENSATION METHODS

BASE LEVELER

Each LD4 compensates for 1/4" per foot (2%) slope and adds 3/8" to the overall height of the pedestal. A maximum of four (4) LD4s may be used to compensate for up to 1" per foot (0-8%) slope.

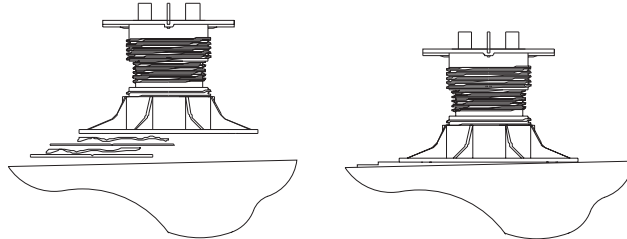
Place LD4 with ridges facing up.

Finger tab points downhill for 1/4" per foot (2%) slope.



SHIMS UNDER PEDESTALS

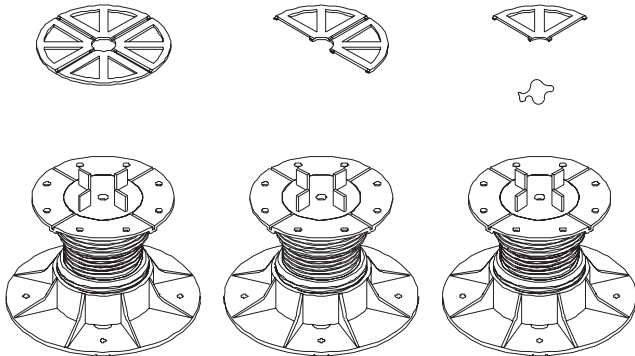
Place shims (whole or in segments) under the pedestal in a stairstep fashion to compensate for sloping substrates. Use only B11 shims for this application. Use no more than four (4) shims.



WORKING WITH SHIMS

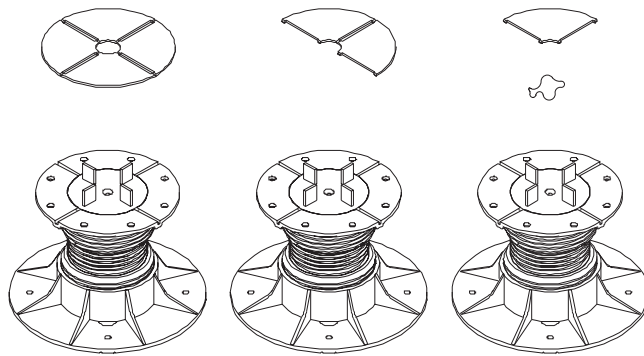
PS1 (1/8") SHIMS

PS1s may be placed on top of pedestals to accommodate for minor leveling of pavers with thickness variations. Use no more than 2 shims. If using only 1/4 segment, adhere it to the pedestal with construction adhesive.



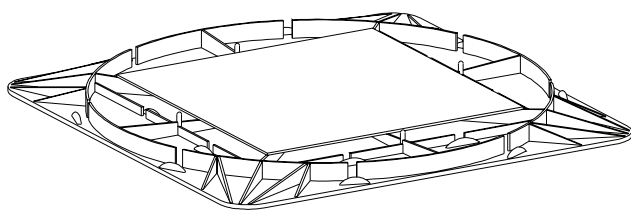
B11 (1/16") SHIMS

B11s may be placed on top of pedestals to accommodate for minor leveling of pavers with thickness variations. Use no more than 2 shims. If using only 1/4 segment, adhere it to the pedestal with construction adhesive.



PEDESTAL BASE PADS

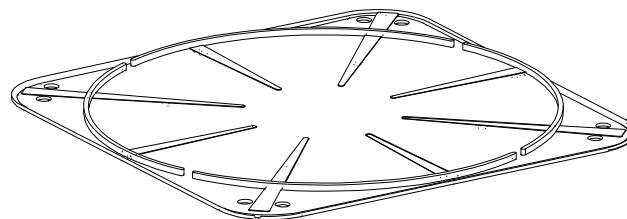
Floating Insulation Base (FIB)



If integral roof insulation is installed immediately below the membrane, the type and density of the insulation is of utmost importance. Roofing systems having "common" insulations with a medium density of 20 psi must also use Bison Floating Insulation Bases (FIB). FIBs are installed immediately below the Bison Deck Support pedestals to disperse the deck load.

Do not use Bison Deck Supports over any insulation less than 20 psi or with low density polystyrene (bead board) insulation.

Floating Foundation Base (FFB)



Bison Floating Foundation Bases (FFB) must be used beneath all on grade Bison Deck Support decks. Level the surface and set directly on grade as a base.